

Very Low Pressure Fan Installation instructions


VBP MS

Application :

- .Passive stack ventilation assistance
- .On collective or individual ducts
- .Up to 7 connected levels

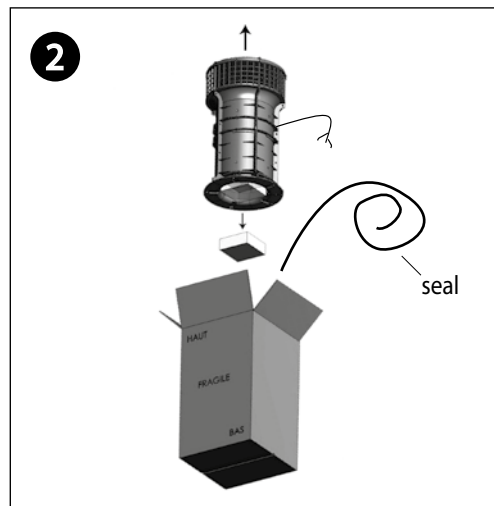
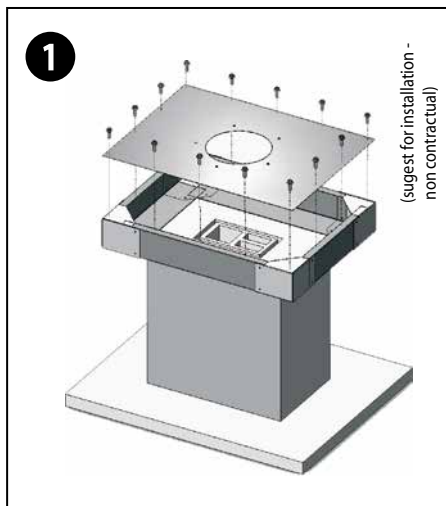
Remarks :

VBP "ms" type needs the CCP "Complete Control Panel" containing the "Management system box" for working.
 Information on number of fans, location, sizing requirements and power supply are determined in the AERECO document : "VBP - Installation specifications".
 Important : This product can't be installed on duct used with gas appliance.

- 1 Make an adaptation box for the VBP fan on the chimney duct.

- 2 Take out the VBP fan and the seal from the packaging. Remove the block from the propeller.

! Place the VBP on a flat surface !
(to avoid propeller damage)

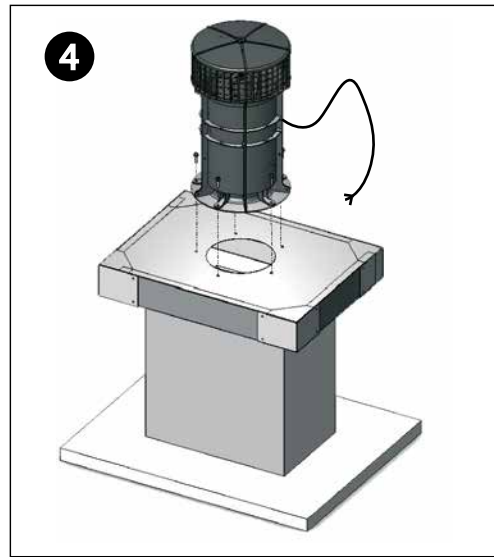
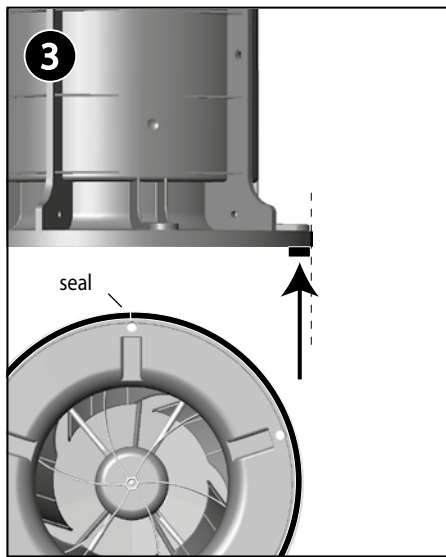


- 3 Stick the furnished airtightness seal by retiring the tape:

Align to the external edge and cut the exceeding part.

- 4 Fix the VBP fan on its adaptation box by using 5 x Ø 8mm minimum inox screws.

- 5 Connect the VBP cable to the supply cable by using a IP 65 electric box.



! low voltage supply cables:
 if length < 40 m, Section = 1,5 mm²
 if length > 40 m, Section = 2,5 mm²

- 6 Install the complete control panel and connect the components in conformity to "CCP" installation instructions.

