

## EHT

Wall humidity sensitive air inlet



**Humidity sensitive system:** modulates the airflow according to the local relative humidity.



**Core drilling:** easy installation on the wall, ideal for refurbishment projects.



**Acoustic attenuation** up to 52 db with accessories.



**Easy to maintain:** no adjustment, simple yearly dusting, and readily accessible filters.

### The effective wall mounted alternative

Designed to be installed on a wall or on a rolling shutter casing, the EHT humidity sensitive air inlet is an ideal alternative to window-mounted air inlets. It thus solves the problem of lack of space on windows. With accessories, it provides a high level of acoustic protection, up to 52 dB attenuation. A closing device and an airflow controller can be used to protect from cold weather and strong winds.

#### Easy wall mounting and efficient protection against outdoor noise (1)

Easy to install, in particular in refurbishment; the circular hole can be made using a core drill 100 mm in diameter - 125 mm for the complete acoustic kit.

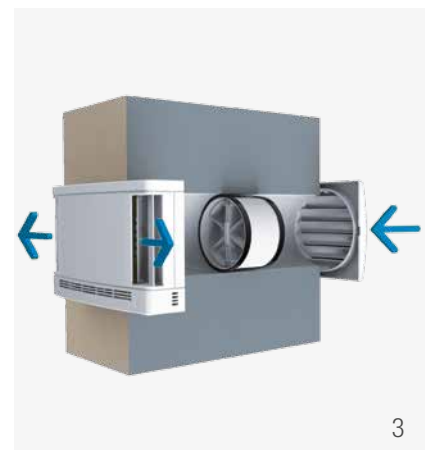
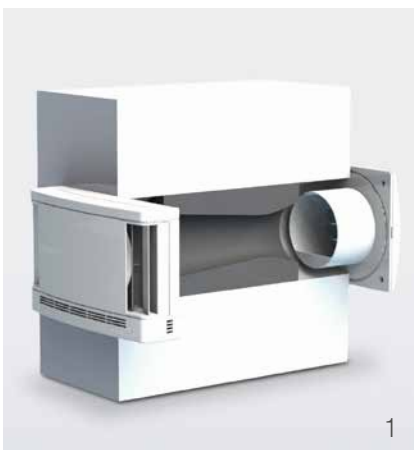
The complete acoustic kit (EHT + 125 mm duct + acoustic foam + acoustic canopy) can attain an acoustic attenuation of 52 dB, which places it among the best products available on the market.

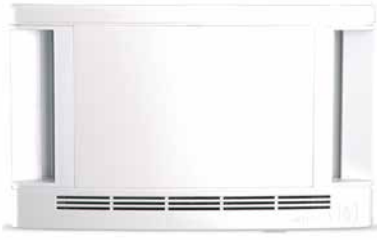
#### Insect filter (2)

Nothing could be easier than cleaning the insect filter: once the EHT is unclipped, the removable F-EHT filter is readily accessible from the interior of the dwelling.

#### ACW: automatic airflow controller (3)

The ACW makes it possible to limit the maximum airflow to 40 m<sup>3</sup>/h in a duct 100 or 125 mm in diameter, even when the pressure exceeds 20 Pa (when there is wind for example).





## EHT Wall humidity sensitive air inlet

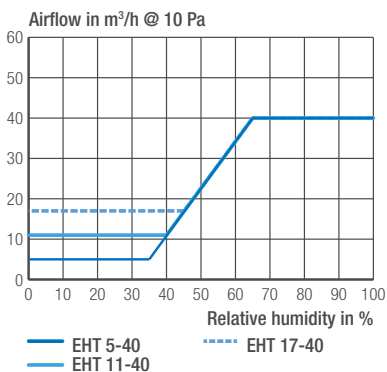
	EHT 5-40	EHT 11-40	EHT 17-40	Wall kit EHT 5-40 #1	Wall kit EHT 5-40 #2	Acoustic wall kit EHT 5-40	EFT24	EFT40	
<b>Standard code</b>	EHT780	EHT957	EHT022	EHT816	EHT815	EHT969	EFT840	EFT026	
<b>Airflow characteristics</b>									
Humidity sensitive	■	■	■	■	■	■	-	-	
Closing device*	■	-	-	■	■	■	-	-	
Airflow (min.-max.) @ 10 Pa	m³/h 5-40	11-40	17-40	5-40	5-40	5-40	24	40	
Max. opening area	mm² 4 000	4 000	4 000	4 000	4 000	4 000	4 000	4 000	
<b>Accessories / composition of the kits</b>									
Air inlet (EHT)	■	■	■	■	■	■	■	■	
ø100 mm tube, length 350 mm	⊗	⊗	⊗	■	■	■	⊗	⊗	
Acoustic foam for ø100 mm tube	⊗	⊗	⊗	-	-	■	⊗	⊗	
Acoustic foam for ø125 mm tube	⊗	⊗	⊗	-	-	-	⊗	⊗	
Anti-insect removable filter (F-EHT)	⊗	⊗	⊗	-	■	-	⊗	⊗	
Acoustic foam for A-EHT canopy	⊗	⊗	⊗	-	-	■	⊗	⊗	
Anti-insect wall standard canopy (A-EHT-AM)	⊗	⊗	⊗	■	-	■	⊗	⊗	
Wall standard canopy (A-EHT)	⊗	⊗	⊗	-	■	-	⊗	⊗	
<b>Characteristics</b>									
Weight	g 489	489	489	862	962	988	382	382	
Colour	white	white	white	white	white	white	white	white	
Material (main)	PS	PS	PS	PS	PS	PS	PS	PS	
<b>Installation</b>									
Spigot**	mm ø100	ø100	ø100	ø100	ø100	ø100	ø100	ø100	
Wall passage dimensions	mm	ø100 or ø125			ø100		ø100 or ø125		
Rolling shutter casing installation		■	■	-	-	-	■	■	
Wall installation		■	■	■	■	■	■	■	
Destination room				bedroom / living room					

\*Not sold in France

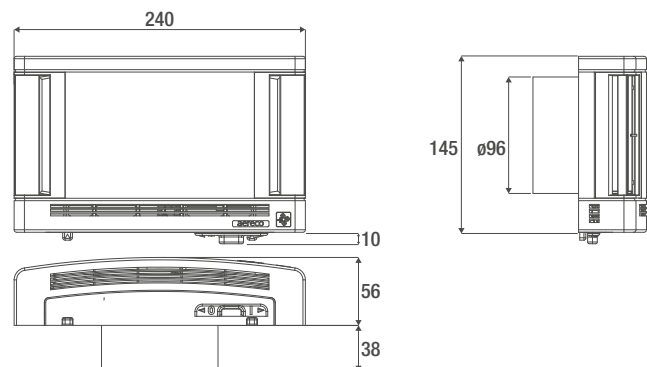
■ standard / included ⊗ compatible

\*\*Exists in bracket version

Airflow characteristics



Dimensions in mm



FLY614\_v2